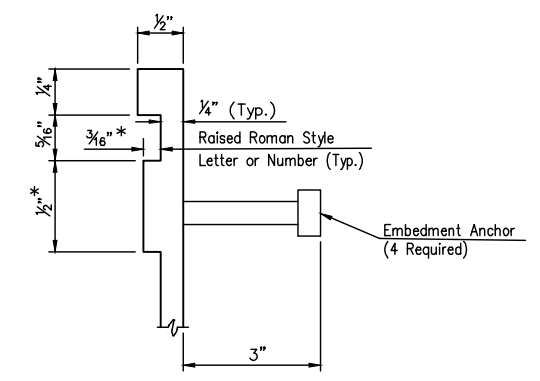
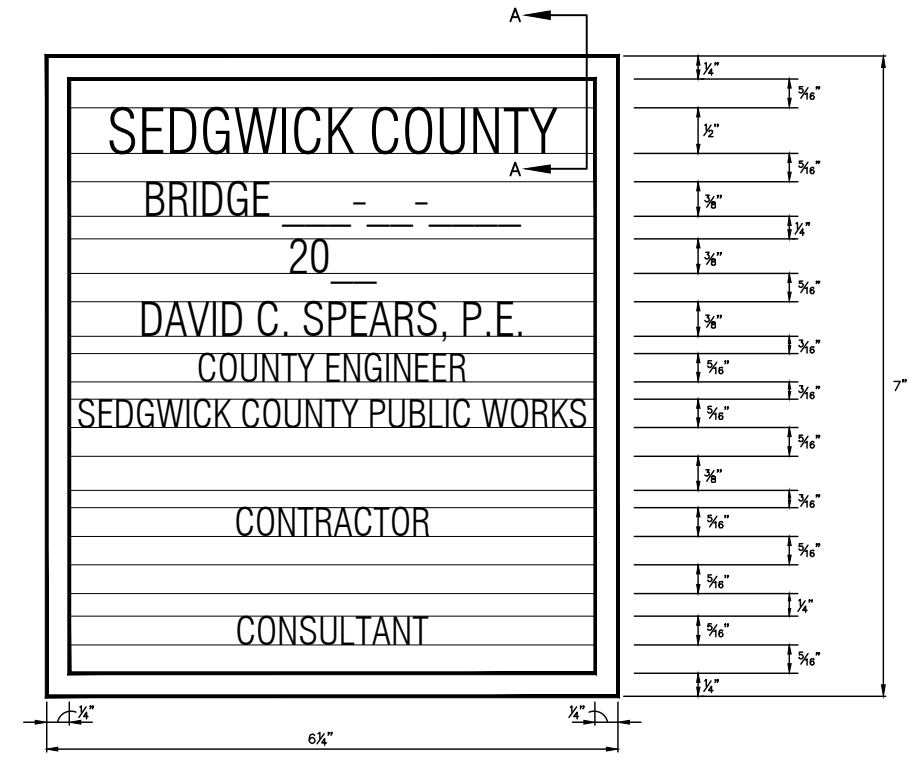


COUNTY	STATE	PROJECT NUMBER	FISCAL YEAR	SHEET NO.	TOTAL SHEETS
SEDGWICK	KANSAS	#####	###	###	##



SECTION A-A

NOTES:
 * Variance of dimensions from Section 1625-Standard Specifications, 2015 Edition, Kansas Department of Transportation.
 Marker to be furnished and installed by the Contractor, **SUBSIDIARY** to the bid item "Concrete (Grade 4.0)(AE)" (2 Required).
 See Sheet No. SheetNumber for location.

Device: DWG To PDF.pc3 Page Setup: NPS_0 By: Packer, Lynn T. Q: \Blocks\Bridge Project Marker-small.dwg Layout: Bridge Project Marker - Small Plotted: 11/6/2017 4:06 PM

11/2017	Chg. marker Eng. title, br. marker note, & design spec.	LTP /DJS
3/2008	Chg. Spec to 2007 Edition	DRS /DVR
Date	Description	By /Chk
#####		
CULVERT PROJECT MARKER		
STRUCTURE NO. XXX-XX-XXXX (BXXX) STA. XX-XX.XX		
PREPARED BY SEDGWICK COUNTY PUBLIC WORKS HIGHWAY DEPARTMENT		
DAVID C. SPEARS, P.E.		DIRECTOR/COUNTY ENGINEER
REVISED	SCALE	DESIGNED
		D.V.R.
		DRAWN
		CHECKED
		P.L.E.
	DATE	
		####
DWG: Bridge Project Marker-small.dwg		