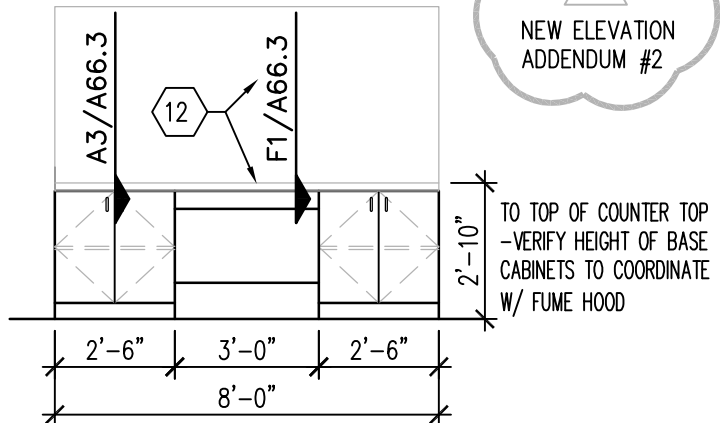


2  
NEW ELEVATION  
ADDENDUM #2



NOTE #12: FUME HOOD WITH COUNTERTOP BY OTHERS.

## W METALOGRAPHY - M134B

1/4" = 1'-0"

© 2008 SCHAEFER JOHNSON COX FREY & ASSOCIATES PA

SCHAEFER JOHNSON COX FREY ARCHITECTURE

Empire Center  
257 N. Broadway  
Wichita, Kansas  
67202-2317  
Ph. 316.684.0171  
Fax. 316.684.8836  
www.sjcf.com  
architecture@sjcf.com

PRJ NO. 2955.00

NATIONAL CENTER  
FOR AVIATION TRAINING  
JABARA CAMPUS

WEBB ROAD  
WICHITA, KS 67206

**A66.2**  
REV. 07 NOV 08