

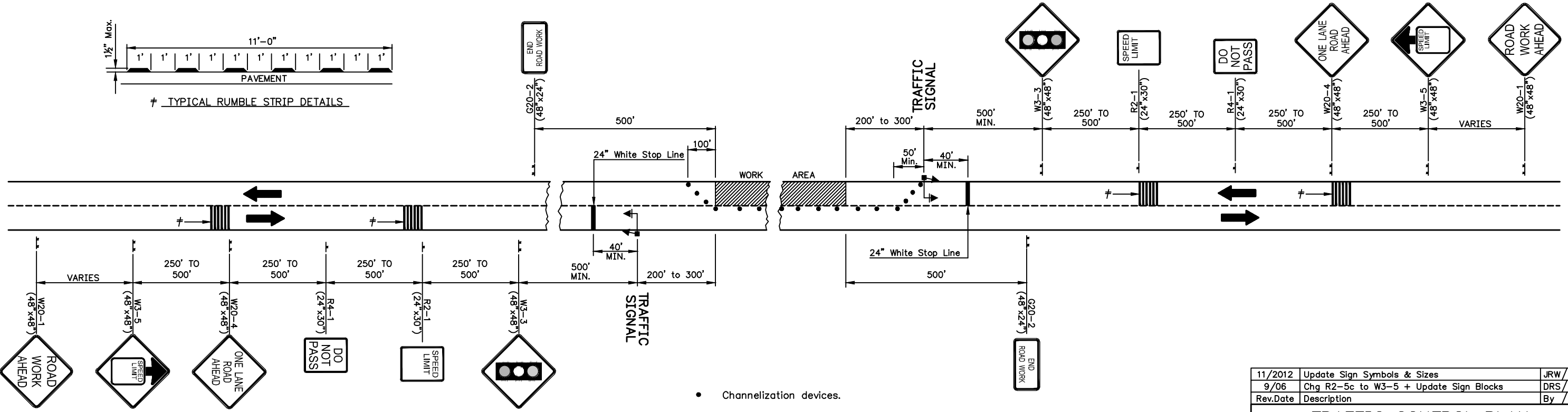
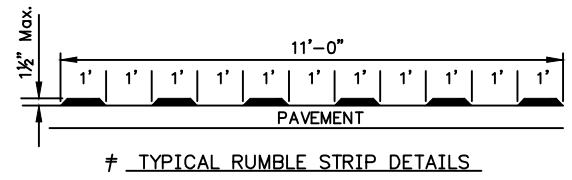
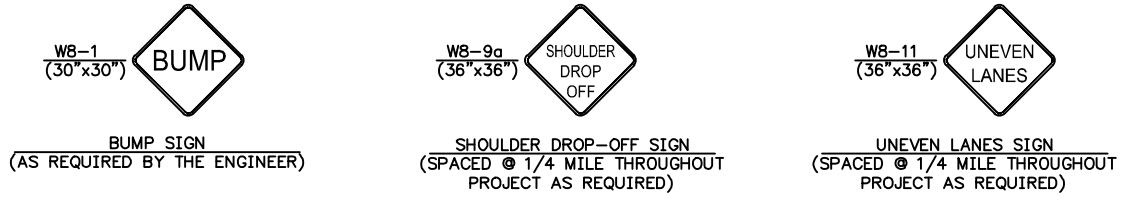
COUNTY	STATE	PROJECT NUMBER	FISCAL YEAR	SHEET NO.	TOTAL SHEETS
SEDGWICK	KANSAS	Project Number	2006	----	----

LIST OF TRAFFIC CONTROL DEVICES \*

MUTCD DEVICE NO.	NO.	FLASHERS		REMARKS	DELINEATORS & CHANNELIZATION DEVICES					
		TYPE A	TYPE B		DEVICE	NO.	SIZE	FLASHERS		
								TYPE A	TYPE B	TYPE C
W20-1	2	2			BARRICADES					
W3-5	2				TYPE III					
W20-4	2				TYPE II					
R4-1	2				TYPE I					
R2-1	2				DRUMS					
W3-3	2	2			SLIM LINE CHANNELIZERS					
G20-2	2				CONES					
W8-9a					TUBES					
W8-11					VERTICAL PANELS					
W8-1					SINGLE					
					BACK TO BACK					
					PAVEMENT MARKING	WHITE	YELLOW			
					4" BROKEN (Lin. Ft.)					
					4" SOLID (Lin. Ft.)					
					TEMPORARY STRIPING (Line Mile)					
					TEMPORARY TRAFFIC SIGNALS	2 SETS				

\*FOR INFORMATION ONLY

See Sheet Nos. SheetNumber & SheetNumber for Traffic Control Notes.



TRAFFIC CONTROL PLAN  
FOR HANDLING ONE-LANE TRAFFIC THROUGH WORK AREA  
(SIGNALS)

**NOTE:**  
The three color traffic control signals shall comply with the latest edition of the Manual On Uniform Traffic Control Devices For Streets and Highways. Timing of the traffic signals shall be determined by the Engineer.

11/2012	Update Sign Symbols & Sizes	JRW/MRB
9/06	Chg R2-5c to W3-5 + Update Sign Blocks	DRS/MRB
Rev.Date	Description	By /Chk

TRAFFIC CONTROL PLAN  
FOR ONE LANE CLOSED ON  
A TWO-LANE ROADWAY (SIGNALS)  
TC 9-0

PREPARED BY SEDGWICK COUNTY PUBLIC WORKS HIGHWAY DEPARTMENT				
DAVID C. SPEARS, P.E.		DIRECTOR/COUNTY ENGINEER		
SCALE	DESIGNED	DRAWN	CHECKED	SHEET NO.
NONE	M.R.B.	D.R.S.	M.R.B.	
DATE	6/1988	4/2005	4/2005	
DWG: TC9				

Device: DWG To PDF.pc3 Page Setup: ---- By: Nixon, Nathan G. Q:\Blocks\STANDARDS\TC9.dwg Layout: TC 9-0 Plotted: 7/2/2019 3:49 PM