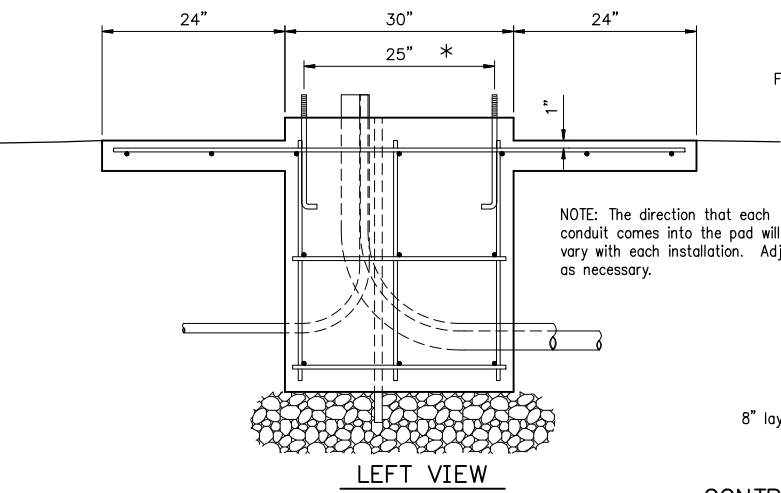
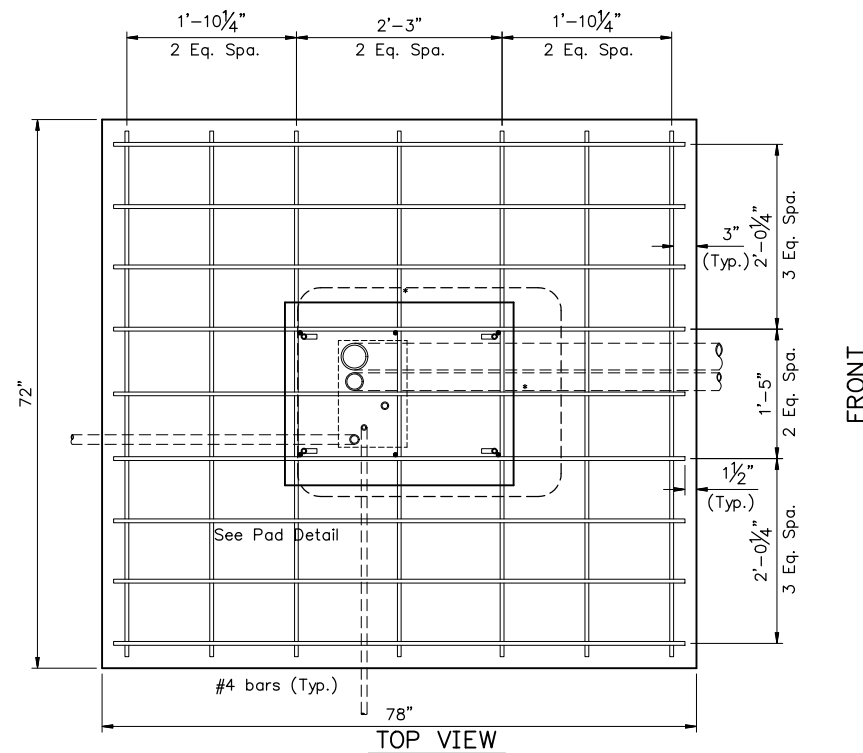
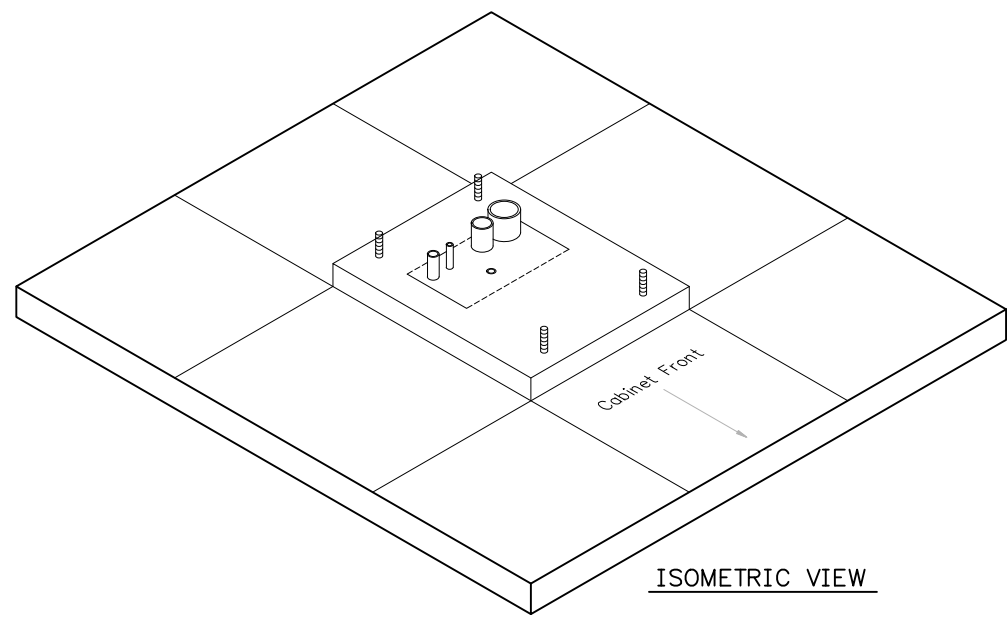
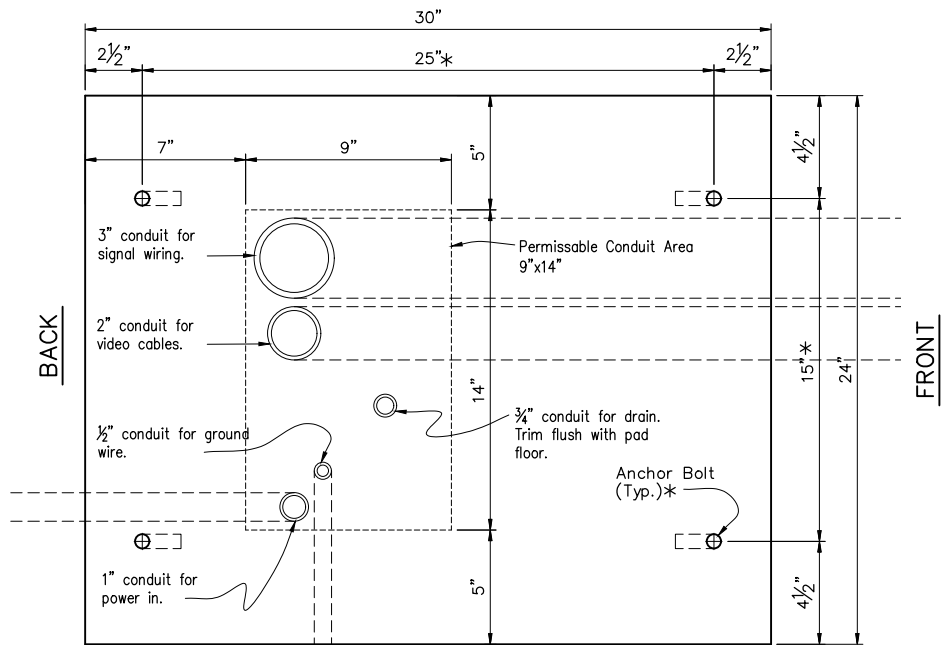


COUNTY	STATE	PROJECT NUMBER	FISCAL YEAR	SHEET NO.	TOTAL SHEETS
SEDGWICK	KANSAS	####	####	####	####

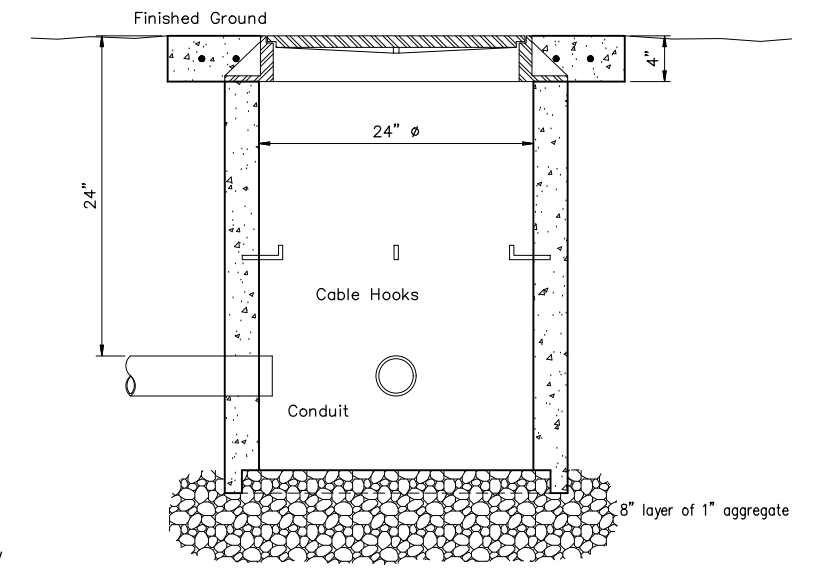
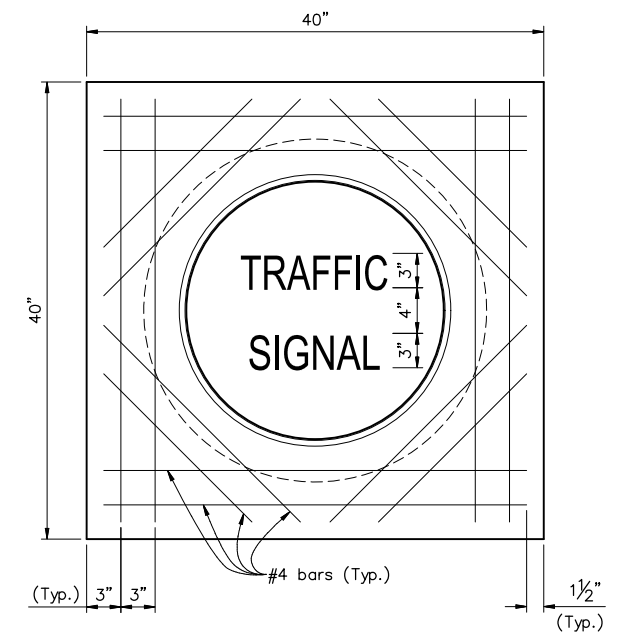


CONTROLLER PAD DETAILS



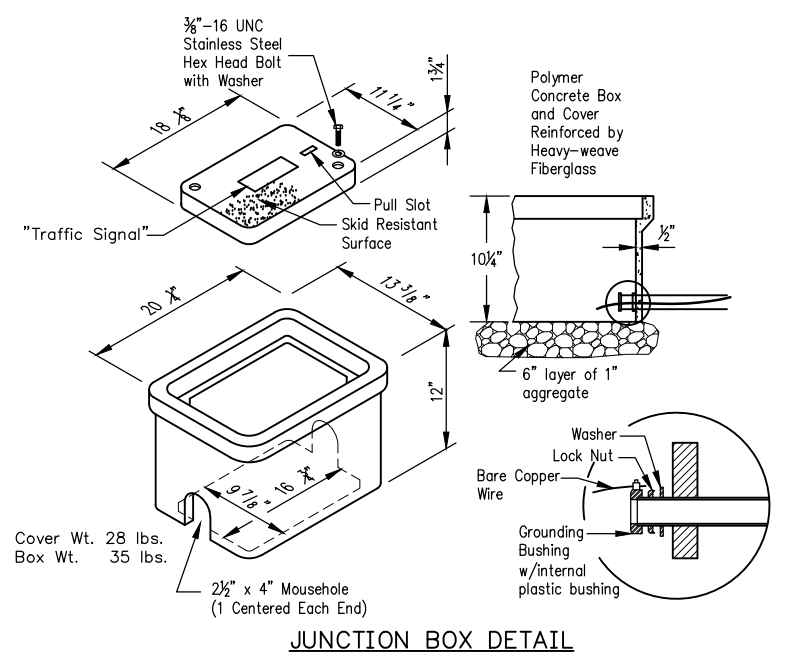
\* Anchor Bolts and spacing shall be per cabinet manufacturer's specifications.

NOTE: All conduits shall be electronically bonded by a grounding bushing and #6 bare copper wire.



SERVICE BOX DETAIL

Service box ring and cover shall be cast iron unless otherwise noted.



8/2007	Update Conduit locations on Pad Details	DRS /MRB		
Date	Description	By /Chk		
<p>####</p> <p><b>TRAFFIC SIGNAL</b></p> <p><b>INSTALLATION DETAILS</b></p> <p>CONTROLLER PAD &amp; SERVICE BOX</p> <p>PREPARED BY SEDGWICK COUNTY PUBLIC WORKS HIGHWAY DEPARTMENT</p> <p>LYNN T. PACKER, P.E. DIRECTOR/COUNTY ENGINEER</p>				
SCALE	DESIGNED	DRAWN	CHECKED	SHEET NO.
NONE	M.R.B.	D.R.S.	M.R.B.	###
DATE	2/2006	2/2006	2/2006	
DWG: TS 1-0 thru 6-0				

Device: AutoCAD PDF (General Documentation).pc3 Page Setup: --- By: Salmans, John \\\dropw\cad\Blocks\STANDARDS\TS 1-0 thru 6-0.dwg Layout: 3/27/2023 2:30 PM